

# S6 AUGERS

EXCAVATORS & BACKHOES FROM 8 - 22 T

## HUB OPTIONS



75mm  
Square

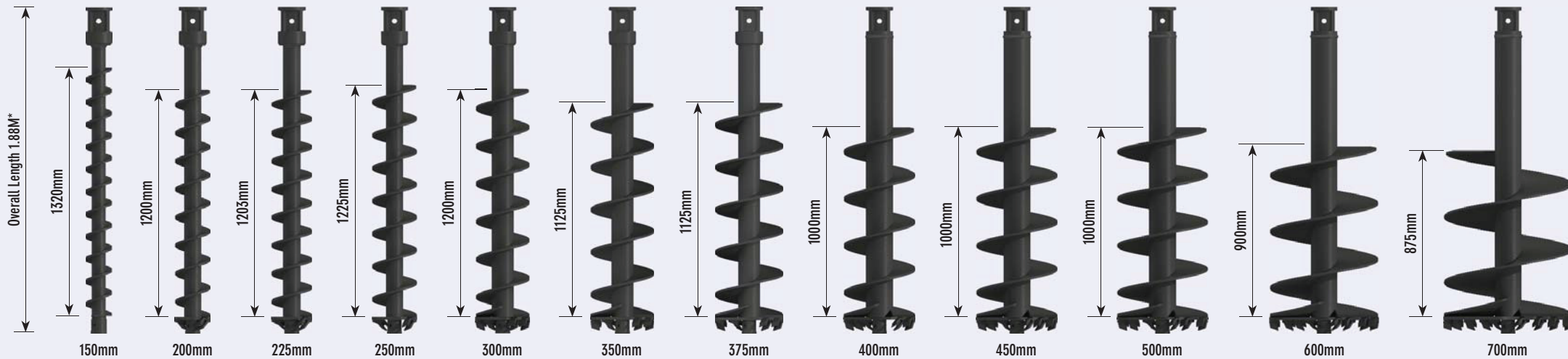
## SHOCK LOCK™ Tooth Locking System

DON'T LEAVE  
YOUR TEETH  
DOWN THE  
HOLE!



With our patented **Shock Lock™** Tooth Locking System tooth loss is now a thing of the past. Using the **Shock Lock™** pin and rubber insert in our unique **Shock Lock™** tooth holders ensures your Auger teeth are safely locked in place and protected against shock fractures.

Replacing worn teeth is a breeze with this system, simply knock out the old pin with a standard hole punch and the tooth will slide out of the holder with ease. Acclaimed as the best system on the market you will never need to worry about fitting spare teeth due to loss again.



Earth Drill **10 000**

Earth Drill **12 000**

Earth Drill **12 000MAX**

Earth Drill **17 000MAX**

Earth Drill **15 000**

Earth Drill **15 000MAX**

Earth Drill **20 000MAX**

Earth Drill **25 000MAX**

**EARTH WEAR PARTS**



S5/6 Earth Pilot 33-9205-KIT  
S5/6 Shock Lock™ Earth Tooth 33-9126-KIT

**TUNGSTEN WEAR PARTS**



S5/6 Tungsten Pilot 33-9206-KIT  
S5/6 Shock Lock™ Tungsten Tooth 33-9127-KIT

**ROCK WEAR PARTS**



S5/6 Rock Pilot 33-9207-KIT  
S5/6 Rock Tooth 33-9107

**EXTRAS**

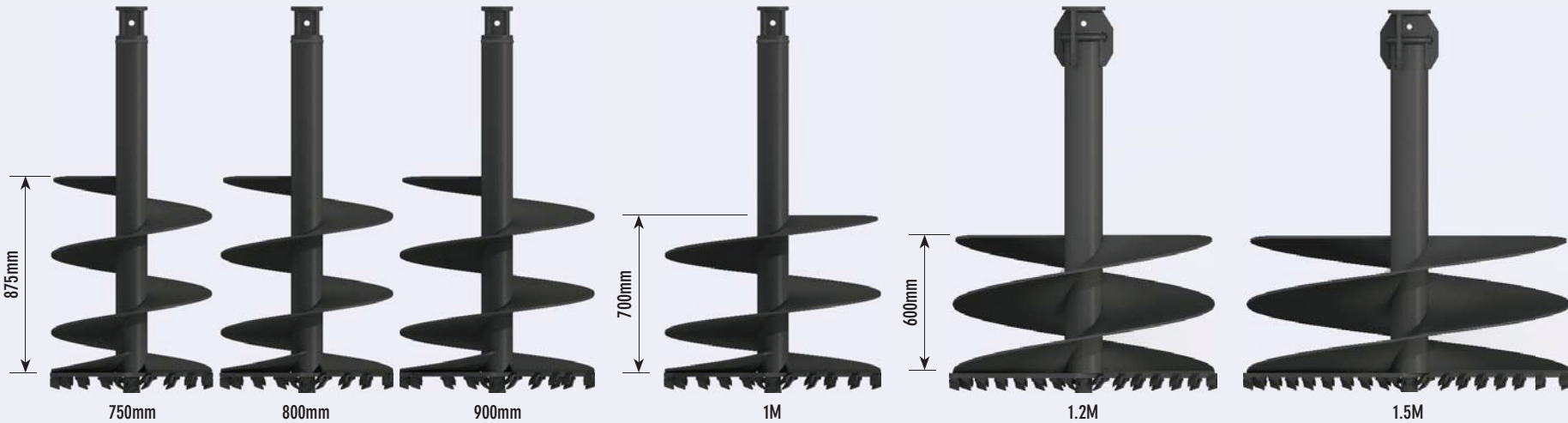
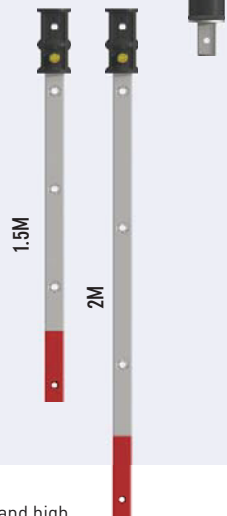


Pin & Clip 57/75 Square 30-0002-KIT  
S5/6 Shock Lock™ Tooth Holder 33-1011  
S5/6 Rock Tooth Holder 33-1013  
S5/6 Drive Socket 1 3/4" Hex 33-4103

**S6 EXTENSIONS**



**S6 TELESCOPIC**



All the Augers above are shown with **Shock Lock™** Tooth Holders. Rock Teeth require a Rock Tooth version of the Auger.

\* Overall Length given includes the auger fitted with wear parts.

Augers of a larger diameter and length can be manufactured for use with these Earth Drills, but technical advice is required. Call one of our main offices for more details.

**WEAR PARTS FOR GROUND CONDITIONS**

**EARTH (Shock Lock™)**  
Best suited to soft grounds like earth and clay.

**TUNGSTEN (Shock Lock™)**  
Best used in dry, hard or medium ground conditions where floating rocks may be encountered. The perfect all-rounder if you are not sure about what you might encounter.

**ROCK (Taper Lock)**  
For very hard ground and tarmac where extra cutting is needed and high wear is expected. Most effective on machines with high down pressure.